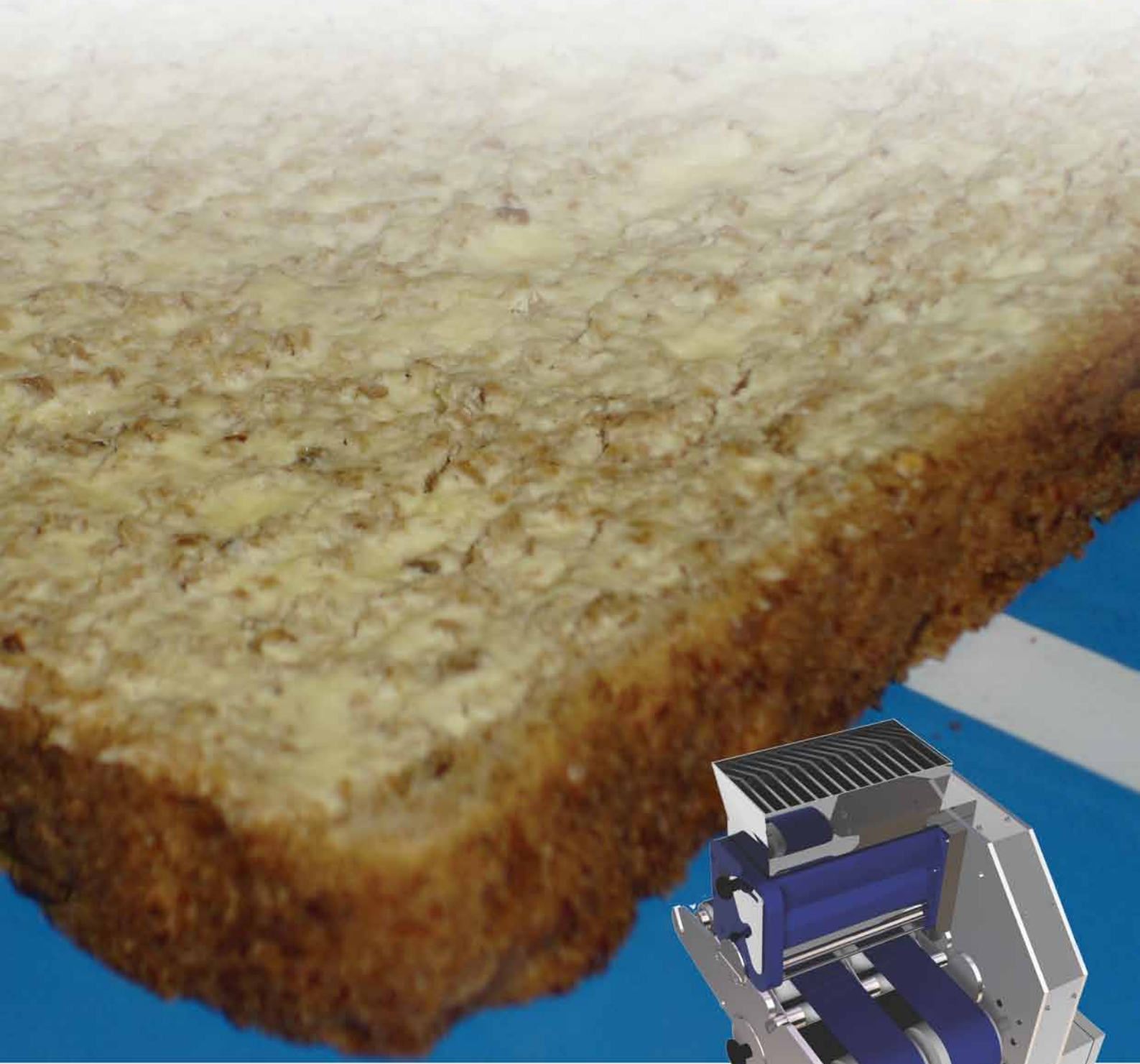




Millitec Food Systems
Innovation in Automation



Butterer

high speed professional buttering



www.millitec.com



Millitec Food Systems

Innovation in Automation

Quick Spread Butterer

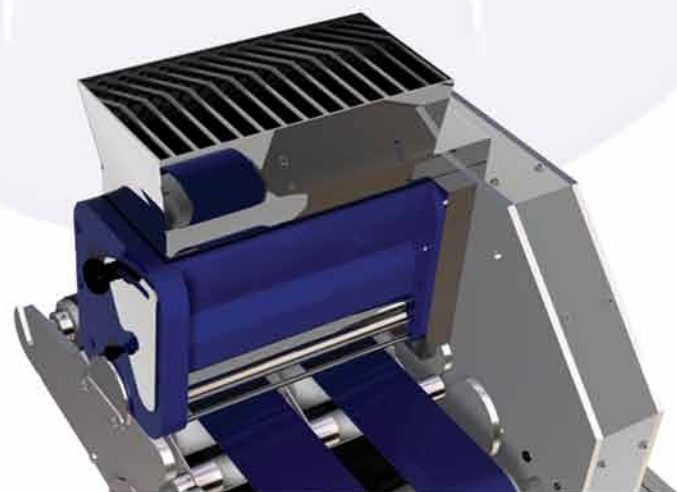
high speed professional buttering

Introduction

Millitec's Quick Spread is a cost effective answer for all your spreading needs and is configurable for high or low volume production.

Features

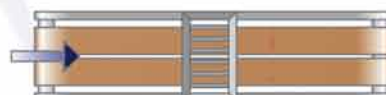
- Heated butter boxes
- Heated removable hopper
- Spreads whipped aerated butter, margarine or other spreads
- Butter boxes refillable during operation
- Butter boxes quickly removable for easy cleaning
- High capacity butter boxes – 1.5kg per box
- Fully adjustable spread thickness
- Even spreading to the edge of every slice
- Constructed from hygienic materials – anodised aluminium, natural acetal and stainless steel
- Available with integrated collator



Models

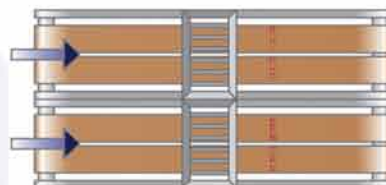
Single

Free standing, with own feed conveyors. Butters two slices simultaneously.



Double-Parallel

Free standing with its own feed conveyors. Butters up to four slices simultaneously, using butter boxes side by side.



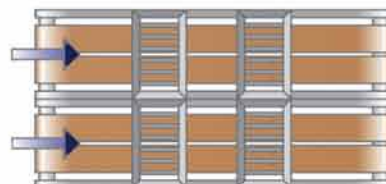
Tandem 2

Free standing with its own feed conveyors. Two butter boxes positioned in tandem allow for buttering of two slices simultaneously, followed by a secondary butterer for spreading.



Tandem 4

As tandem 2, but will butter and spread four slices simultaneously.



Millitec also manufacture:

- Cantilever conveyors for total hygiene
- Sanitisers
- Mixers and Tumblers
- Full range of sandwich lines
- Process control systems
- Palm top data acquisition
- Ultrasonic cutters
- CIP systems

Contact

Millitec Food Systems Ltd
Woodhill Industrial Park
Old Dalby
Leicestershire
LE14 3LX

