

## Chapter 8. POWER SUPPLY MODULE

This chapter describes the selection method, type and specifications of the power supply module.

### 8.1 Selection of power supply module

Selection of the power supply module is determined by the total current consumption of digital input modules, special modules and communications modules, etc. whose powers are supplied by the power supply module. If total load overrun the rated output capacity, the system will not normally operate. When configuring a system, select a power supply module with due consideration of current consumption of each module.

#### 1) Current consumption GM6 series modules (unit: mA)

Modules	Models	Current Consumption	Modules	Models	Current Consumption
CPU module	GM6-CPUA	100	A/D conversion module	G6F-AD2A	50
24 VDC input module	G6I-D22A	70	D/A conversion module	G6F-DA2V	50
	G6I-D22B	70		G6F-DA2I	50
	G6I-D24A	75	High speed counting module	G6F-HSCA	300
	G6I-D24B	75	Computer link module	G6L-CUEB	108
110 VAC input module	G6I-A11A	41		G6L-CUEC	138
220 VAC input module	G6I-A21A	41	Fnet I/F module	G6L-FUEA	182
Relay output module	G6Q-RY2A	415			
Transistor output module	G6Q-TR2A	185			
	G6Q-TR4A	139			
Triac output module	G6Q-SS1A	210			

**8.2 Specifications**

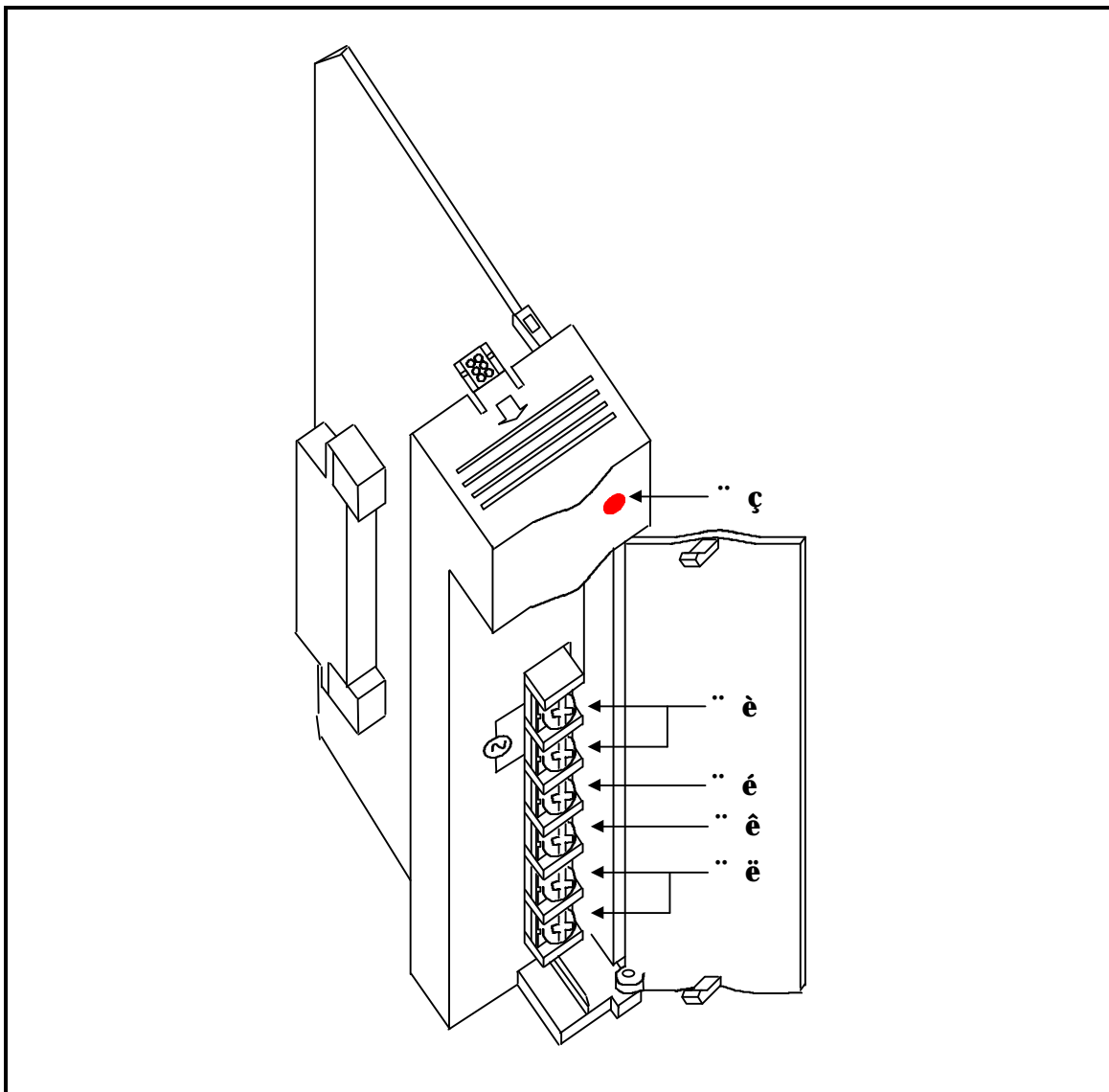
Item		GM6-PAFA	GM6-PAFB
Input	Input voltage	85 to 264 VAC	85 to 264 VAC
	Input frequency	50 / 60 Hz (47 to 63 Hz)	
	Input current	0.7 / 0.35 A	0.7 / 0.35 A
	Inrush current	30 A or less	
	Efficiency	70% or more (rated load, 110/220 VAC)	
	Input fuse	250 VAC / 2A	
	Allowable momentary power failure	20 ms or less	
Output	Output voltage	5 VDC	
	Output current	5 VDC : 2 A 24 VDC : 0.3 A	5 VDC : 2 A +15 VDC : 0.5 A -15VDC : 0.2 A
	Over-current protection	5 VDC : 2.2 A or more 24 VDC : 0.33 A or more	5 VDC : 2.2 A +15 VDC : 0.55 A -15VDC : 0.22 A
Voltage status indicator	LED turns On at normal output voltage.		
Used wire specifications	0.75 to 2 mm <sup>2</sup>		
Weight	0.32 kg		

**REMARK**

To use A/D and D/A modules (G6F-AD2A, G6F-DA2V, G6F-DA2I), choose the GM6-PAFB power module.

### 8.3 Names of Parts

The followings describe names of parts and their purposes of the power supply module.



No.	Name	Purpose
1	Power LED	It used to indicate the 5 VDC power supply.
2	Power input terminal	It used to connect 110 or 220 VAC power.
3	LG terminal	Line Ground
4	FG terminal	Frame Ground
5	24 VDC and DC24G terminal	GM6-PAFA It used the 24 VDC power to supply to the other module
	No connection	GM6-PAFB No connection