

# Chapter 13 Online Edit

13.1. Start Online Edit .....	13-1
13.2. Write for Online Edit .....	13-2
13.3. Cancel Online Edit.....	13-2
13.4. Files for Online Edit .....	13-3
13.5. Available Items for Online Edit .....	13-3
13.6. Non-available Items for Online Edit .....	13-3



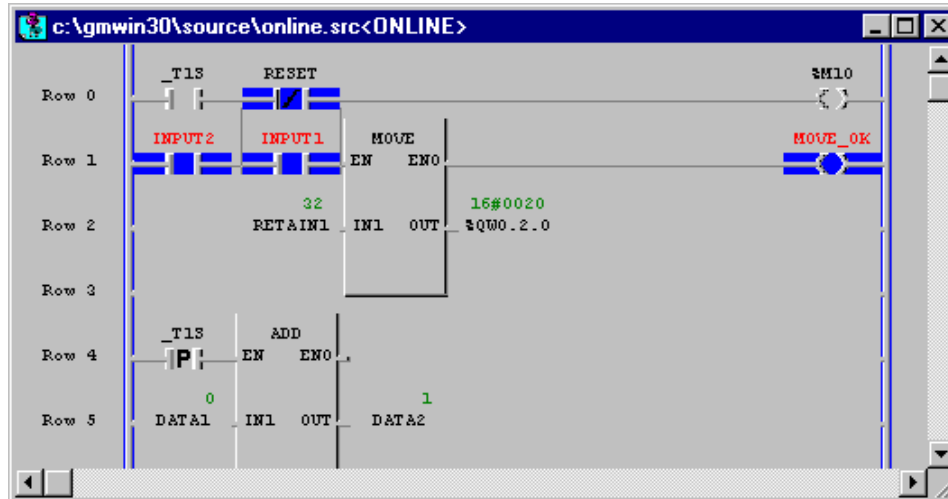
# Chapter 13. Online Edit

In Run Mode, You can edit a program without changing the PLC Mode to Stop Mode.

## 13.1. Start Online Edit

To edit the program in Run mode, the program to edit must be identified with the program in the PLC.

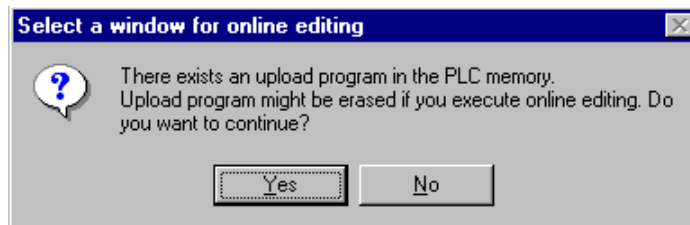
. Select the program.



. Select **Online-Start Online Edit** in the pull-down menu.

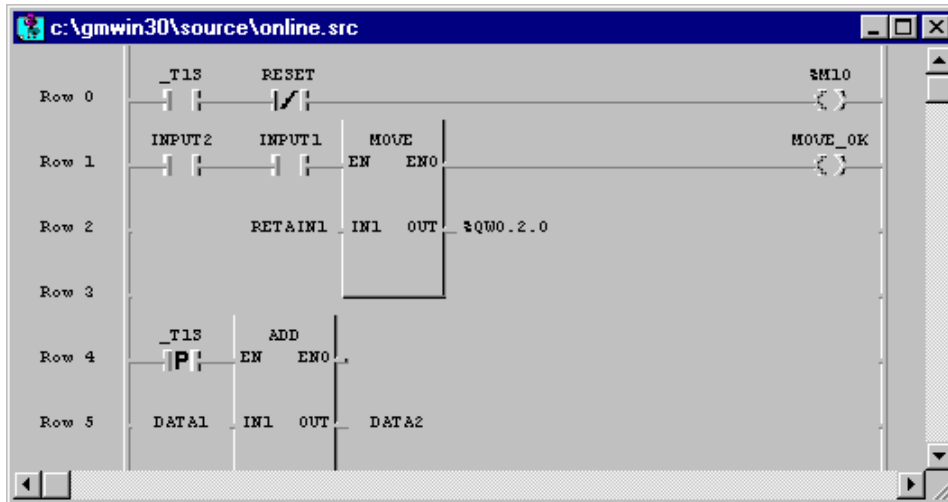
At this moment, If PLC Mode is Monitoring Mode, only the program for online editing is changed to Edit Mode.

. If there is the Upload program in PLC, the following message appears.



. If you click **Yes** button, the Upload program is downloaded to PLC after the online editing. But, the PLC must have a enough memory space.

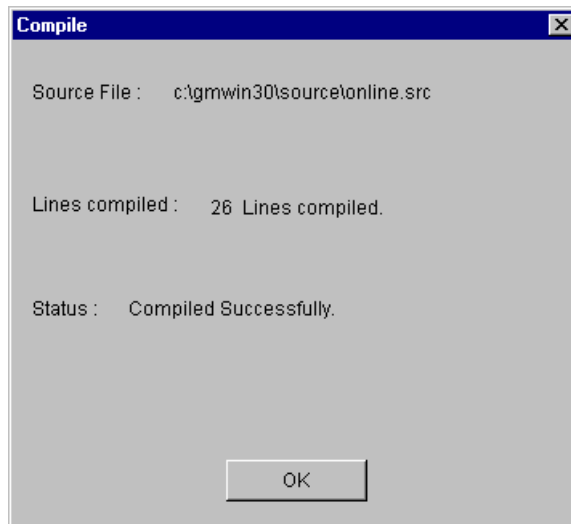
. Edit the program.



## 13.2. Write for Online Edit

To write the edited program to PLC,

. Select **Online-Write for Online Edit** in the pull-down menu.



. If an error is occurred in this step, the program can't be downloaded to PLC.  
So, edit the program again after selecting **Online-Write for Online Edit** in the pull-down menu.

## 13.3. Cancel Online Edit

To cancel the online editing and return to the previous program,

. Select **Online – Cancel Online Edit** in the pull-down menu.

